

Ball Valve, Metal

Construction

The GEMÜ 707 manually operated 2-piece 2/2-way ball valve in stainless steel has a plastic coated lever.

Features

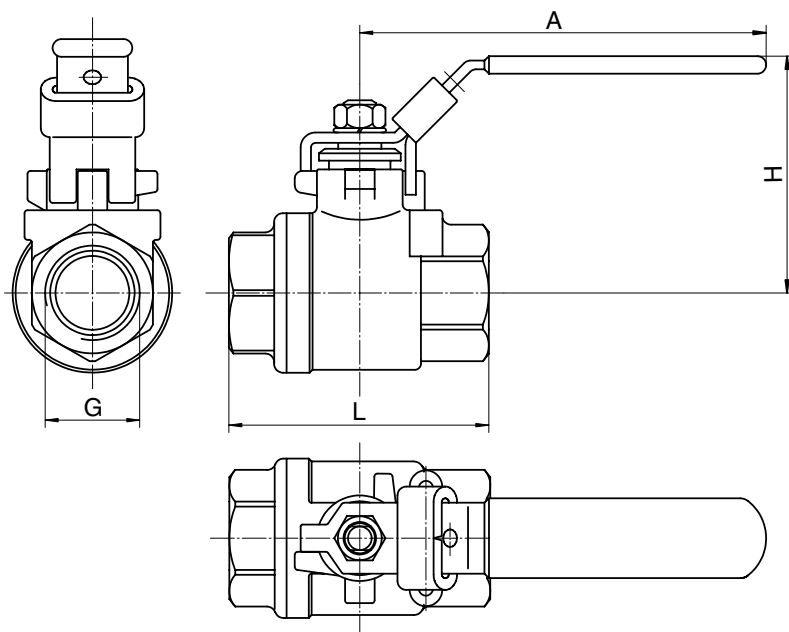
- Suitable for inert and corrosive* liquid and gaseous media and steam
- The GEMÜ 707 ball valves comply with the safety requirements of Annex I of the European Pressure Equipment Directive 97/23/EC (PED) for fluids of group 1 and 2

Advantages

- High flow capability
- Low weight
- Lockable and non-twisting lever

* see information on working medium on page 2

Body dimensions [mm]



DN	G	A		H		L	
		[mm]	[inch]	[mm]	[inch]	[mm]	[inch]
8	1/4"	100	3.94	50	1.97	60	2.36
10	3/8"	100	3.94	50	1.97	60	2.36
15	1/2"	130	5.12	60	2.36	75	2.95
20	3/4"	130	5.12	64	2.52	80	3.15
25	1"	165	6.50	71	2.80	90	3.54
32	1 1/4"	165	6.50	78	3.07	110	4.33
40	1 1/2"	190	7.48	86	3.39	120	4.72
50	2"	190	7.48	95	3.74	140	5.51

Technical data

Working medium

Corrosive, inert gaseous and liquid media and steam which have no negative impact on the physical and chemical properties of the body and seal materials.

Maximum permissible pressure of working medium see diagram

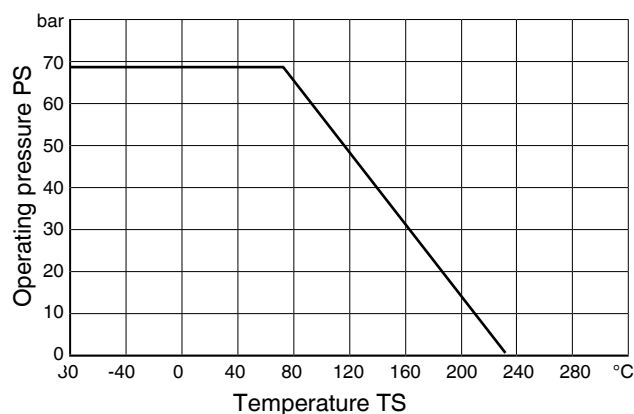
(for water and non-hazardous media to which the body material is resistant)

Maximum permissible operating temperature 180 °C

Maximum permissible ambient temperature 60 °C

DN	NPS	Values		Weight	
		Kv [m³/h]	Cv [US gal/min]	[kg]	[US-lbs]
8	1/4"	8.6	10.0	0.25	0.14
10	3/8"	21	24.3	0.25	0.14
15	1/2"	35	40.5	0.40	0.23
20	3/4"	46	53.2	0.50	0.29
25	1"	72	83.3	0.90	0.51
32	1 1/4"	105	121.5	1.60	0.92
40	1 1/2"	170	196.8	2.30	1.32
50	2"	275	318.3	3.60	2.06

Operating pressure - Temperature



Data shown are typical non-binding values only!
The manufacturer assumes no liability whatsoever for any data selection not confirmed in writing.

Order data

Body configuration	Code
2/2-way	D

Seal material	Code
Seat: PTFE	5

Connection	Code
Threaded sockets DIN ISO 228	1

Control function	Code
Manually operated / lockable	L

Valve body material	Code
1.4408 Investment casting (body)	37
1.4401 Ball	

Order example	707	15	D	1	37	5	L
Type	707						
Nominal size		15					
Body configuration (code)			D				
Connection (code)				1			
Valve body material (code)					37		
Seal material (code)						5	
Control function (code)							L

For further ball valves and other products please see our Product Range catalogue and Price List.
Contact GEMÜ.

GEMÜ® VALVES, MEASUREMENT
AND CONTROL SYSTEMS

