

Diaphragm valve, Plastic

Construction

The GEMÜ 617 manually operated 2/2-way diaphragm valve has a low maintenance plastic bonnet. An optical position indicator is integrated as standard.

Features

- Suitable for inert and corrosive* liquid and gaseous media
- The valve is insensitive to contaminated, abrasive media
- Integral optical position indicator
- Compact design
- Valve body and diaphragm available in various materials and designs
- Optional flow direction and mounting position

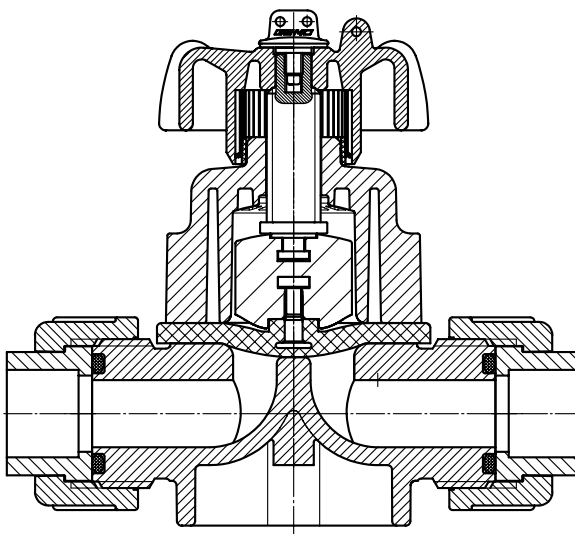
Advantages

- All medium wetted parts and the housing are made of plastic
- Good flow capability

* see information on working medium on page 2



Sectional drawing



Technical data

Working medium

Corrosive, inert, gaseous and liquid media which have no negative impact on the physical and chemical properties of the body and diaphragm material.

Ambient temperature

Valve body PVC-U	10 to 50 °C
Valve body PP / PP-H	5 to 50 °C
Valve body PVDF	-10 to 50 °C

Working medium temperature

Valve body PVC-U	10 to 60 °C
Valve body PP / PP-H	5 to 80 °C
Valve body PVDF	-20 to 80 °C

The permissible operating pressure depends on the working medium temperature

O-ring material for valve bodies with union ends

Diaphragm material	O-ring material
NBR	EPDM
FPM	FPM
EPDM	EPDM
PTFE	FPM
Other combinations on request	

Pressure / temperature correlation for plastic

Temperature in °C (plastic body)		-20	-10	±0	5	10	20	25	30	40	50	60	70	80	
		Valve body material													
PVC-U		Code 1													
PP / PP-H		Code 5 / N5													
PVDF		Code 20													
		Permissible operating pressure [bar]													
PVC-U		-	-	-	-	6.0	6.0	6.0	4.8	3.6	2.1	0.9	-	-	
PP / PP-H		-	-	-	6.0	6.0	6.0	6.0	5.1	4.2	3.3	2.4	1.6	0.9	
PVDF		6.0	6.0	6.0	6.0	6.0	6.0	6.0	5.4	4.8	4.3	3.8	3.2	2.8	

Data for extended temperature ranges on request. Please note that the ambient temperature and medium temperature generate a combined temperature at the valve body which must not exceed the above values.

All pressures are gauge pressures. Operating pressure values were determined with static operating pressure applied on one side of a closed valve. Sealing at the valve seat and atmospheric sealing is ensured for the given values.

Information on operating pressures applied on both sides and for high purity media on request

Diaphragm size	DN	Kv value
		[m³/h]
10	12	2.8
	15	3.5
	20	3.5

Kv values determined acc. to IEC 534 standard, inlet pressure 6 bar, Δp 1 bar, PVC-U valve body and soft elastomer diaphragm.

Order data

Body configuration	Code
2/2-way	D

Connection	Code
Threaded sockets DIN ISO 228	1
Solvent cement sockets DIN	2
Union ends with DIN insert (socket)	7
Spigots for IR butt welding, BCF	28
Union ends with inch insert - BS (socket)	33
Flare connection with PVDF union nut	75
Union ends with DIN insert (for IR butt welding)	78

Valve body material	Code
PVC-U, grey	1
PP, reinforced	5
PVDF	20
PP-H natural	N5*
* only with integrated mounting plate (code M)	

Diaphragm material	Code
NBR	2
FPM	4
EPDM	14
PTFE/EPDM, PTFE laminated	52

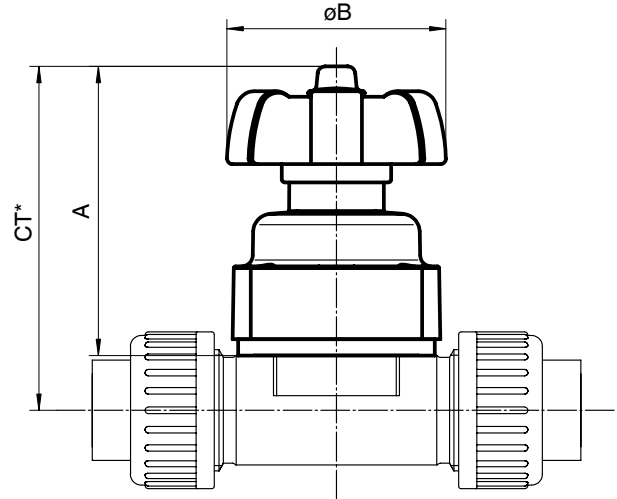
Control function	Code
Manually operated	0

Integrated mounting plate	Code
With integrated mounting plate Material code 20, N5	M
Without mounting plate Material code 20	O
Without mounting plate Material code 1 and 5	-

Order example	617	15	D	7	1	14	0	-
Type	617							
Nominal size		15						
Body configuration (code)			D					
Connection (code)				7				
Valve body material (code)					1			
Diaphragm material (code)						14		
Control function (code)							0	
Integrated mounting plate (code)								-

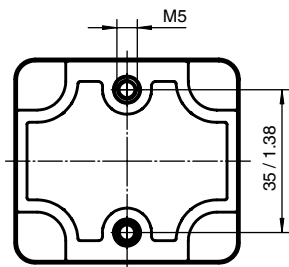
Actuator dimensions [mm]

Diaphragm size	DN	A	ø B	Weight [kg]
10	12 - 20	80	60	0.16

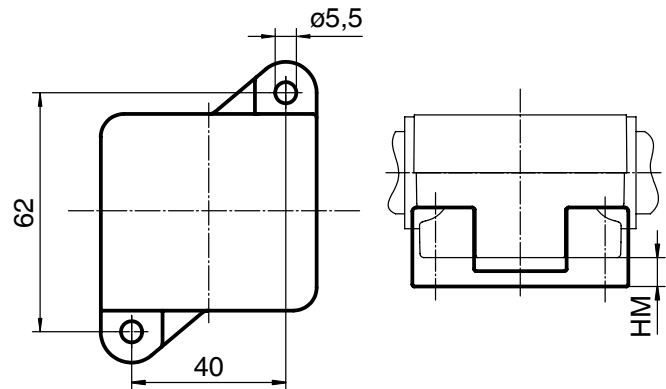


* CT = A + H1 (see body dimensions)

Valve body mounting dimensions [mm]



Dimensions of mounting plate Code M [mm]



Diaphragm size	M	f
10	M5	35.0

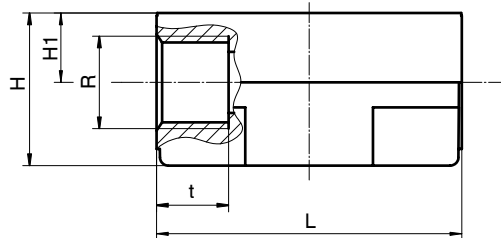
Diaphragm size	Material code 20, N5	HM
10	DN 12	5.0
	DN 15	4.5
	DN 20	4.5

Body dimensions [mm]

Threaded sockets, connection code 1 Valve body material: PVC-U (code 1), PP (code 5), PVDF (code 20)

MG	DN	R	t	H		H1		L	Weight [kg]
				Material code 1, 5	Material code 20	Material code 1, 5	Material code 20		
10	12	G3/8	13	27.5	31.5	12.5	12.5	55	0.08

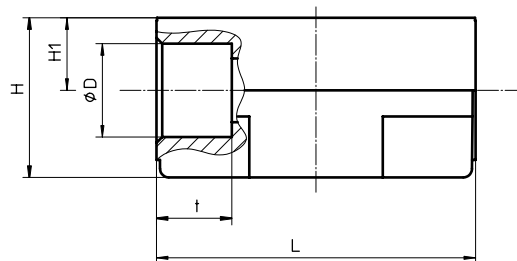
For materials see overview on last page MG = diaphragm size



Solvent cement sockets, connection code 2 Valve body material: PVC-U (code 1)

MG	DN	ø D	t	H	H1	L	Weight [kg]
10	12	16	13	27.5	12.5	55	0.06

MG = diaphragm size



Dimensions [mm]

Union ends with DIN insert (socket), connection code 7 Valve body material: PVC-U (code 1), PP (code 5), PVDF (code 20)*, PP-H (code N5)*

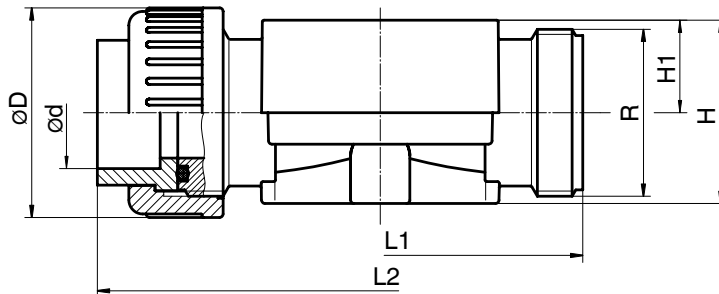
MG	DN	L1	L2		H		H1		øD	ød	R	Weight [kg]
			Material code 1, 20	Material code 5, N5	Material code 1, 5	Material code 20, N5	Material code 1, 5	Material code 20, N5				
10	15	90	128	125	30	41	15	16	43	20	G1	0.18

* with integrated mounting plate (code M), note dimension HM (see page 4)
For materials see overview on last page MG = diaphragm size

Union ends with inch insert (socket), connection code 33 Valve body material: PVC-U (code 1)

MG	DN	NPS	L1	L2	H	H1	øD	ød	R	Weight [kg]
10	15	1/2"	90	128	30	15	43	21.4	G1	0.13

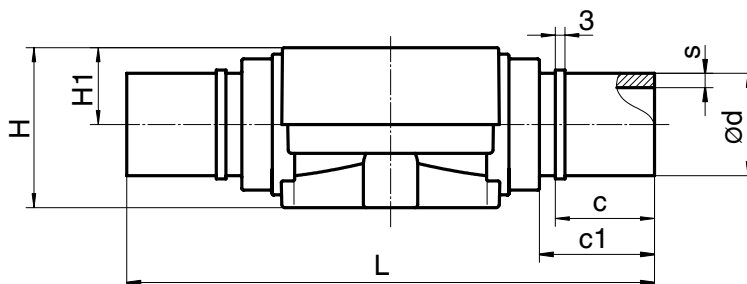
MG = diaphragm size



Spigots for IR butt welding, BCF, connection code 28 Valve body material: PVDF (code 20)

MG	DN	L	H	H1	ød	s	c	c1	Weight [kg]
10	15	134	41	16	20	1.9	31	37	0.13

MG = diaphragm size

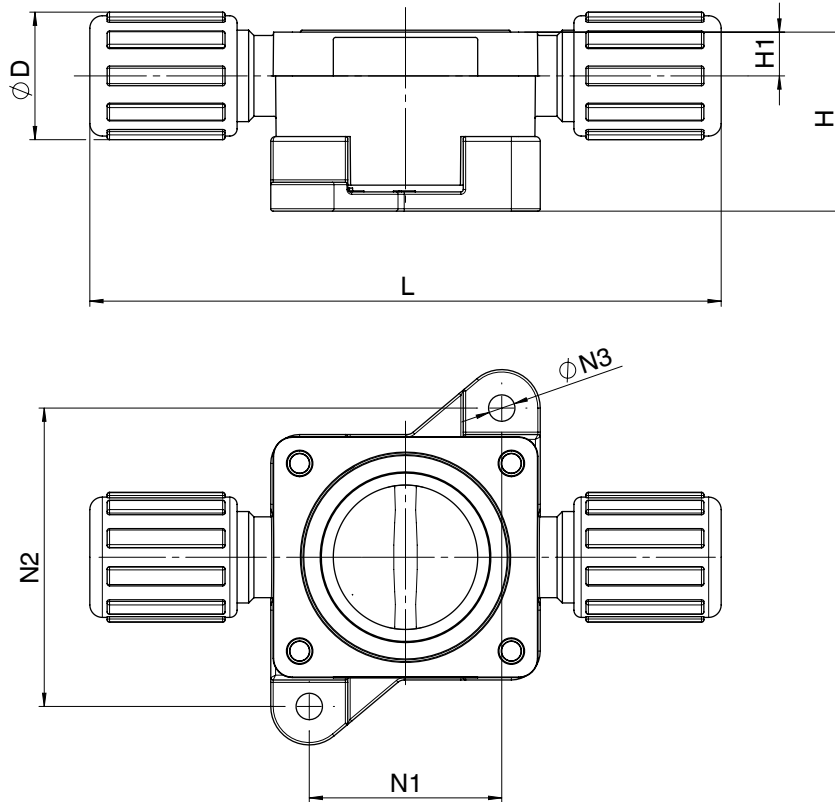


Body dimensions [mm]

Flare connection with PVDF union nut, connection code 75
Valve body material: PP-H (code N5)

MG	DN	L	H	H1	øD	N1	N2	øN3	Weight [kg]
10	15	132	38.1	10	26.5	40	62.0	5.5	0.08
	20	134	44.5	15	26.5	40	62.0	5.5	0.125

MG = diaphragm size

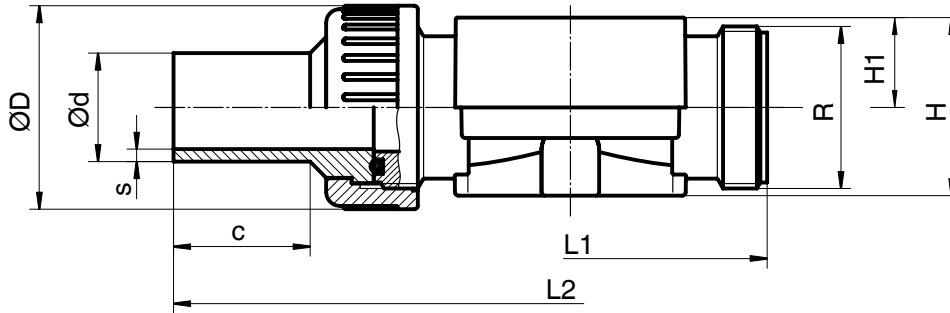


Body dimensions [mm]

Union ends with DIN insert, connection code 78
Valve body material: PP (code 5), PVDF (code 20)*, PP-H (code N5)*,

Diaphragm size	DN	L1	L2	H		H1		øD	R	ød	s	c	Weight [kg]
				Material code 5	Material code 20, N5	Material code 5	Material code 20						
10	15	90	196	30	41	15	16	42	1	20	1.9	36	0.20

* with integrated mounting plate (code M), note dimension HM (see page 4)
 For materials see overview below



Overview of valve bodies for GEMÜ 610

Connection code		1			2	7				28	33	75	78			
Material code		1	5	20	1	1	5	20	N5	20	1	N5	5	20	N5	
MG	DN															
10	12	X	X	X	X	-	-	-	-	-	-	-	-	-	-	-
	15	-	-	-	-	X	X	X	X	X	X	X	X	X	X	X
	20	-	-	-	-	-	-	-	-	-	-	X	-	-	-	-

MG = diaphragm size

For further plastic diaphragm valves, accessories and other products, please see our Product Range catalogue and Price List.
 Contact GEMÜ.

GEMÜ® VALVES, MEASUREMENT
 AND CONTROL SYSTEMS

