

Angle Seat Globe Valve, Metal Aseptic

Construction

The GEMÜ 555 pneumatically operated 2/2-way valve has a piston actuator and is designed for pure steam applications. The valve has a PTFE seat for tight shut off and the valve spindle is sealed by a stainless steel bellows.

Features

- Suitable for pure steam and gaseous media
- For control functions, materials and connections see the following pages
- Internal surface of valve body $\leq Ra\ 0.4\ \mu m$, external surface electro-polished

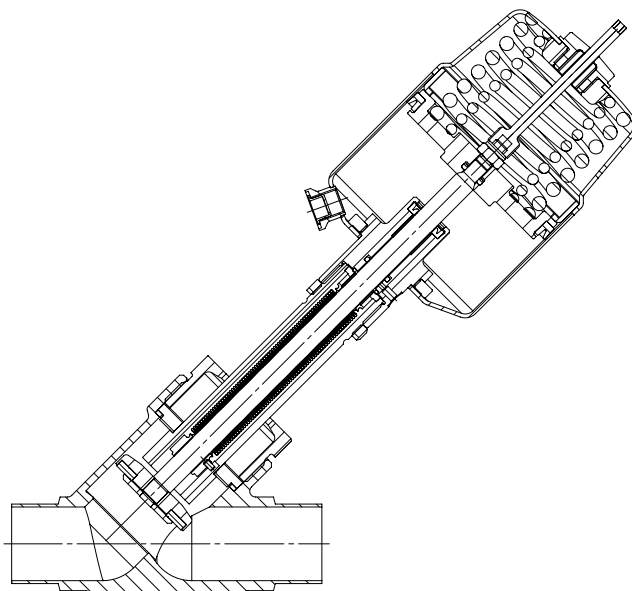
Optionen

- Versions according to ATEX on request

Advantages

- Free from non-ferrous metals
- Stainless steel bellows seal
- Welded valve plug
- Low maintenance fixed seat plug (without threads)
- Fast actuator change possible
- Optical position indicator integrated as standard
- Traceability of all wetted parts
- Suitable for contact with food according to Regulation (EC) No. 1935/2004

Sectional drawing

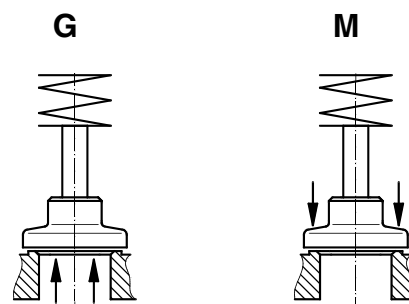


Order data

Body configuration	Code
2/2-way body	D

Flow direction	Code
Under the seat	G
Over the seat (up to DN 50)	M

Connection	Code
Butt weld spigots	
Spigots DIN 11866, series A	1A
Spigots DIN 11866, series B	1B
Spigots ASME BPE	59
Clamp connections	
Clamps DIN 32676 series B for pipe EN ISO 1127, length EN 558, series 1	82
Clamps DIN 32676 series A for pipe DIN 11850, length EN 558, series 1	86
Clamps ASME BPE for pipe ASME BPE, length EN 558, series 1	88



Valve body material	Code
1.4435 (316 L), block material	41
1.4435, investment casting	C2
Material equivalency 316 L	
A surface finish from the order code table "K number" must be specified for valve body.	

Spring set	Code
Standard	1

Seat seal	Code
PTFE	5P

K number	Code
Surface finish	
external surface electrolytically gloss polished / mechanically polished internal Ra ≤ 0.6 µm	1903
external surface electrolytically gloss polished / mechanically polished internal Ra ≤ 0.8 µm	1904
external surface electrolytically gloss polished / mechanically polished internal Ra ≤ 0.4 µm	1909

Control function	Code
Normally closed	1

Actuator size	Code
Actuator 2 piston ø 60 mm	2
Actuator 3 piston ø 80 mm	3
Actuator 4 piston ø 100 mm	4
Actuator 5 piston ø 130 mm	5

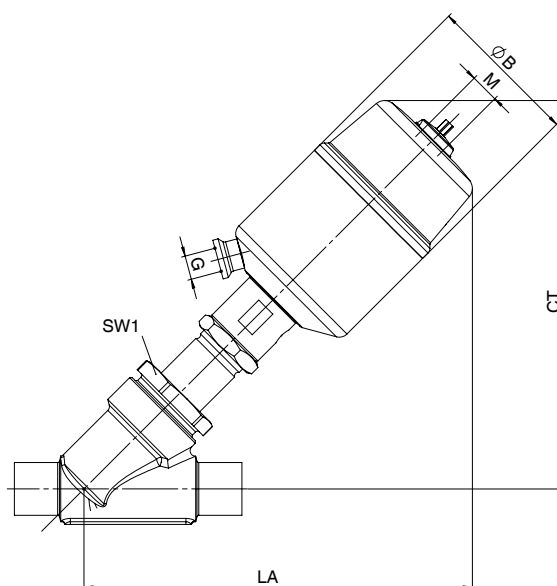
Special version	Code
Stainless steel bellows seal	F

Order example	555	15	D	1A	C2	5P	1	2	G	1	1903	F
Type	555											
Nominal size		15										
Body configuration (code)			D									
Connection (code)				1A								
Valve body material (code)					C2							
Seat seal (code)						5P						
Control function (code)							1					
Actuator size (code)								2				
Flow direction (code)									G			
Spring set (code)										1		
K number (code)											1903	
Special version (code)												F

Dimensions [mm]

Actuator dimensions / Installation dimensions

Actuator size	DN	SW1	CT/LA	ø B	M	G
2	8	36	183	63	M16x1	G 1/8
	10	36	183	63	M16x1	G 1/8
	15	36	183	63	M16x1	G 1/8
	20	41	184	63	M16x1	G 1/8
3	25	46	218	84	M16x1	G 1/4
	32	55	220	84	M16x1	G 1/4
4	40	60	280	104	M22x1.5	G 1/4
5	50	55	310	135	M22x1.5	G 1/4
	65	75	310	135	M22x1.5	G 1/4
	80	75	315	135	M22x1.5	G 1/4



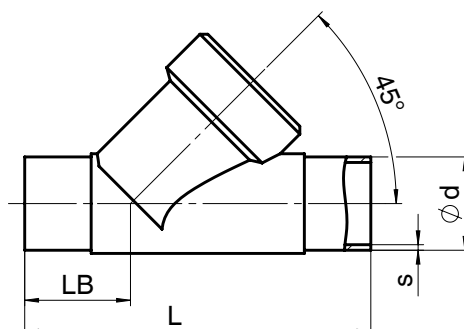
Body dimensions [mm]

Butt weld spigots, connection code 1A, 1B, 59 Valve body material: 1.4435 (code 41, C2)

			Connection code					
			1A		1B		59	
DN	L	LB	ø d	s	ø d	s	ø d	s
8	105*	35.5*	10	1.0	13.5	1.6	-	-
10	105	35.5	13	1.5	17.2	1.6	-	-
15	105	35.5	19	1.5	21.3	1.6	12.70	1.65
20	120	39.0	23	1.5	26.9	1.6	19.05	1.65
25	125	39.5	29	1.5	33.7	2.0	25.40	1.65
32	155	48.0	35	1.5	42.4	2.0	-	-
40	160	47.0	41	1.5	48.3	2.0	38.10	1.65
50	180	48.0	53	1.5	60.3	2.0	50.80	1.65
65	290	96.0	70	2.0	76.1	2.0	63.50	1.65
80	310	95.0	85	2.0	88.9	2.3	76.20	1.65

* Connection code 1A: L = 100, LB = 33.5

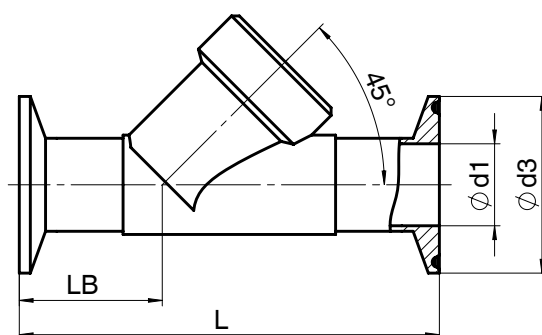
For materials see overview on page 5



Dimensions [mm]

Clamp connections, connection code 82, 86, 88 Valve body material: 1.4435 (code C2)

DN	NPS	Connection code							
		LB	L	82		86		88	
				ø d1	ø d3	ø d1	ø d3	ø d1	ø d3
15	1/2"	47.5	130	18.1	50.5	16	34.0	9.40	25.0
20	3/4"	54.0	150	23.7	50.5	20	34.0	15.75	25.0
25	1"	56.0	160	29.7	50.5	26	50.5	22.10	50.5
32	1 1/4"	60.5	180	38.4	64.0	32	50.5	-	-
40	1 1/2"	67.0	200	44.3	64.0	38	50.5	34.80	50.5
50	2"	73.0	230	56.3	77.5	50	64.0	47.50	64.0
65	2 1/2"	120.0	290	72.1	91.0	66	91.0	60.2	77.5
80	3"	119.0	310	84.3	106.0	81	106.0	72.9	91.0



Overview of metal bodies for GEMÜ 505

Connection code	Spigots					Clamps		
	1A		1B	59		82	86	88
	C2	41	C2	C2	41	C2	C2	C2
DN 8	-	X	X	-	X	-	-	-
DN 10	X	-	X	-	X	-	-	-
DN 15	X	-	X	X	-	X	X	X
DN 20	X	-	X	X	-	X	X	X
DN 25	X	-	X	X	-	X	X	X
DN 32	X	-	X	-	-	X	X	-
DN 40	X	-	X	X	-	X	X	X
DN 50	X	-	X	X	-	X	X	X
DN 65	X	-	X	X	-	X	X	X
DN 80	X	-	X	X	-	X	X	X

For further globe valves, accessories and other products, please see our Product Range catalogue and Price List.
Contact GEMÜ.

GEMÜ® VALVES, MEASUREMENT
AND CONTROL SYSTEMS

