

## Globe Valve, Metal

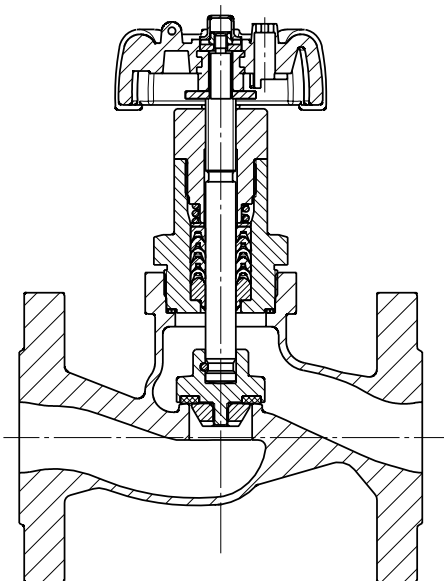
### Construction

The GEMÜ 537 manually operated 2/2-way globe valve has an ergonomically designed plastic handwheel. The valve spindle is sealed by a self-adjusting gland packing providing low maintenance and reliable valve spindle sealing even after a long service life. The wiper ring fitted in front of the gland packing protects it against contamination and damage. A handwheel extension available as an option enables installation of the valve in insulated pipelines.

### Features

- Valve bodies available in SG iron and stainless steel
- Good flow capability and compact design
- Modular system, the valve can also later be retrofitted with pneumatic actuators
- Versions according to ATEX on request
- Optionally suitable for contact with food according to Regulation (EC) No. 1935/2004 (K-No. 1935)

Sectional drawing



## Technical data

### Working medium

Corrosive, inert, gaseous and liquid media which have no negative impact on the physical and chemical properties of the body and seal material.

Max. perm. pressure of working medium see table

Media temperature -10° to 180 °C

Max. permissible viscosity 600 mm<sup>2</sup>/s (cSt)

Other versions for lower/higher temperatures and higher viscosities on request.

### Ambient conditions

Max. ambient temperature 60 °C

Nominal size	Max. operating pressure	Kv value
DN	[bar]	[m <sup>3</sup> /h]
15	25	4.6
20	25	8.0
25	25	13.0
32	25	22.0
40	25	35.0
50	16	50.0

Kv values determined acc. to IEC 534 standard, flanges EN 1092.

### Leakage rate

Open-Closed-Valve: Leakage rate A to P11/P12 EN 12266-1

Control valve: DIN IEC 60534-4 VI L 1 PTFE seal

Control valve: DIN IEC 60534-4 IV L 1 metal seal

### Pressure / temperature correlation for globe valve bodies

Connection code	Material code	Max. allowable operating pressures in bar at temperature °C*						
		RT	50	100	150	200	250	300
8	37	14.6	13.9	12.4	11.2	10.3	9.6	9.0
10	37	25.0	23.7	21.3	19.2	17.7	16.4	15.4
11	37	36.4	34.7	31.1	28.1	25.8	24.0	22.6
39	37	19.0	19.0	16.0	14.8	13.6	12.1	10.2
8	90	16.0	16.0	16.0	15.5	14.7	13.9	11.2
39	90	17.2	17.0	16.0	14.8	13.9	12.1	10.2

\* The valves can be used down to -10°C RT = Room Temperature All pressures are gauge pressures.  
Pressure-temperature correlation for connection code 48: DN 15 - 40 see connection code 10, DN 50 see connection code 8.

## Order data

Body configuration	Code
2/2-way body	D

Valve body material	Code
1.4408, Cast stainless steel	37
EN-GJS-400-18-LT (GGG 40.3), SG iron	90

Connection	Code
<b>Flanges</b> Flanges EN 1092 / PN16 / form B, length EN 558, series 1, ISO 5752, basic series 1	8
Flanges EN 1092 / PN25 / form B, length EN 558, series 1 ISO 5752, basic series 1	10
Flanges EN 1092 / PN40 / form B, length EN 558, series 1 ISO 5752, basic series 1	11
Flanges ANSI CLASS 125/150 RF, length EN 558, series 1, ISO 5752, basic series	39
Flanges drilled according to JIS 20K (DN 15 - 40), Flanges drilled according to JIS 10K (DN 50), length EN 558, series 10, ASME/ANSI B 16.10 table 1, column 16	48

Seat seal	Code
PTFE	5
PTFE, glass reinforced	5G
Other seat seals on request	

Control function	Code
Manually operated	0
Manually operated with handwheel clamp	L

K number	Code
Handwheel extension	3007

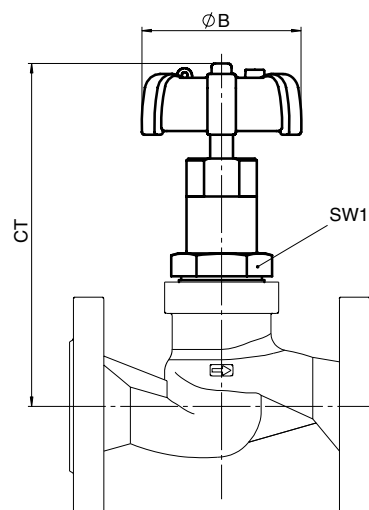
### Note

Overview available valve bodies see table on page 4

Order example	537	25	D	10	37	5	0
Type	537						
Nominal size		25					
Body configuration (code)			D				
Connection (code)				10			
Valve body material (code)					37		
Seat seal (code)						5	
Control function (code)							0
K number (code)							

## Installation dimensions [mm]

DN	CT		ø B	SW1
		K-Nr. 3007		
15	155	195	90	41
20	165	205	90	46
25	180	220	90	46
32	188	228	90	41
40	206	246	90	41
50	216	256	90	50

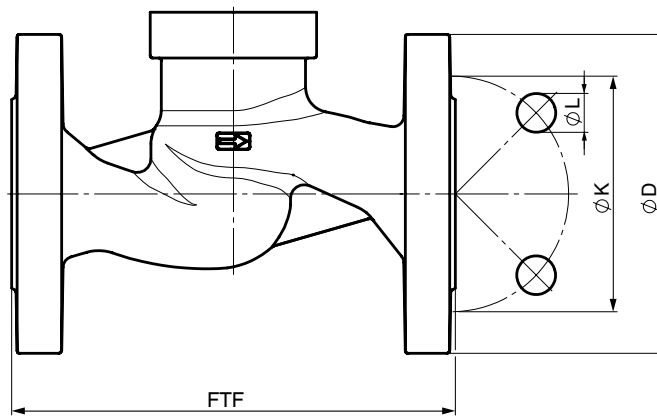


## Body dimensions [mm]

Flanges. connection code 8, 10, 11, 39, 48  
Valve body material: 1.4408 (code 37), EN-GJS-400-18-LT (code 90)

DN	Number of bolts	Connection code 8, 10, 11				Connection code 39				Connection code 48				Weight [kg]
		FTF	ø D	ø K	ø L	FTF	ø D	ø K	ø L	FTF	ø D	ø K	ø L	
15	4	130	95	65	14	130	90	60.3	15.9	108	95	70	15	2.2
20	4	150	105	75	14	150	100	69.9	15.9	117	100	75	15	3.0
25	4	160	115	85	14	160	110	79.4	15.9	127	125	90	19	3.7
32	4	180	140	100	18	180	115	88.9	15.9	-	-	-	-	5.3
40	4	200	150	110	18	200	125	98.4	15.9	165	140	105	19	6.3
50	4	230	165	125	18	230	150	120.7	19.0	203	155	120	19	8.4

For materials see overview on last page



### Overview of metal bodies for GEMÜ 537

Connection code	8		10	11	39		48
Material code	37	90	37	37	37	90	37
DN 15	-	X	-	X	X	X	X
DN 20	-	X	-	X	X	X	X
DN 25	-	X	-	X	X	X	X
DN 32	-	X	X	-	X	X	-
DN 40	-	X	X	-	X	X	X
DN 50	X	X	-	-	X	X	X

For further globe valves, accessories and other products, please see our Product Range catalogue and Price List.  
Contact GEMÜ.

**GEMÜ**® VALVES, MEASUREMENT  
AND CONTROL SYSTEMS

