

Multi-Port Globe Valve, Metal

Construction

The GEMÜ 352/354 pneumatically operated 3/2-way valves have a rugged low maintenance plastic piston actuator.

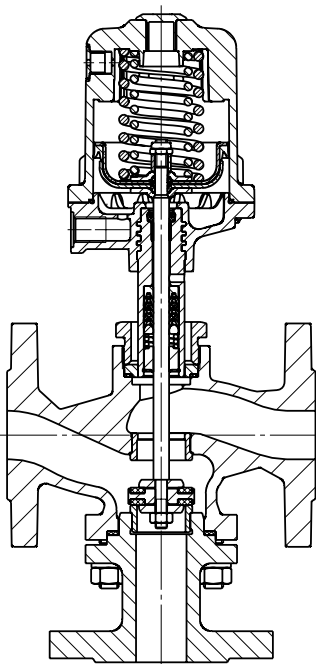
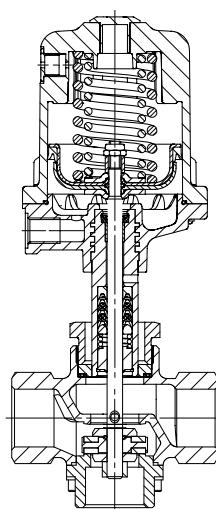
GEMÜ 352 is flanged, GEMÜ 354 has threaded sockets. The connection for the control medium can be rotated through 360°. The double sided valve plug is connected to the actuator via a spindle. The valve spindle is sealed by a self-adjusting gland packing providing low maintenance and reliable valve spindle sealing even after a long service life. A wiper ring fitted in front of the gland packing protects it against contamination and damage.

Features

- Suitable for inert liquid and gaseous media
- Control medium: inert gases
- Suitable for high working medium temperatures
- Materials of wetted parts can be selected to suit relevant applications
- With GEMÜ 352 and GEMÜ 354 valves control processes which normally require two separate valves can be combined, for example: mixing, separating, aerating and de-aerating
- Versions according to ATEX on request

Advantages

- Extensive range of accessories
- Simple adaptation for use as a control valve

GEMÜ 352**GEMÜ 354**

Technical data

Working medium

Inert, gaseous and liquid media which have no negative impact on the physical and chemical properties of the body and seal material.

Permissible pressure of working medium:
see table below

Medium temperature -10°C to 180°C

Control medium

Inert gaseous media

Control pressure see table below

Max. perm. temperature of control medium 60°C

Filling volume Actuator 1 0.125 dm³
Actuator 2 0.625 dm³

Ambient conditions

Max. ambient temperature 60°C

DN	Operating pressure [bar]		Control pressure [bar]*		Kv value [m ³ /h]				Weight [kg]			
	Actuator 1	Actuator 2	Actuator 1	Actuator 2	GEMÜ 352		GEMÜ 354		Actuator 1		Actuator 2	
					P→A	A→R	P→A	A→R	GEMÜ 352	GEMÜ 354	GEMÜ 352	GEMÜ 354
	P→A	P→A	The valve is closed from A to R		P→A	A→R	P→A	A→R	GEMÜ 352	GEMÜ 354	GEMÜ 352	GEMÜ 354
15	16.0	-	5.5 - 7.0	-	6.0	4.2	3.6	2.5	4.4	1.7	-	-
20	16.0	-	5.5 - 7.0	-	12.0	7.1	5.5	3.3	5.8	1.8	-	-
25	10.0	-	5.5 - 7.0	-	18.5	12.7	10.6	7.3	6.7	2.1	-	-
32	6.0	16.0	5.5 - 7.0	4.0 - 7.0	26.0	15.0	18.0	10.4	10.4	3.2	13.3	6.1
40	4.5	14.0	5.5 - 7.0	4.0 - 7.0	40.0	27.0	31.0	20.9	11.5	3.7	14.5	6.7
50	2.5	10.0	5.5 - 7.0	5.0 - 7.0	60.0	43.0	47.0	33.7	15.3	4.7	18.4	7.9
65	-	7.0	-	5.0 - 7.0	104.0	68.0	-	-	-	-	25.5	-
80	-	4.0	-	5.0 - 7.0	145.0	96.0	-	-	-	-	32.0	-
100	-	2.0	-	5.0 - 7.0	220.0	144.0	-	-	-	-	44.0	-

*Operating pressure at connection R may not be greater than operating pressure P → A (see drawing on pages 4 and 5). Kv values determined acc. to IEC 534 standard, valve body material cast iron EN-GJL-250 with connection flange EN 1092, valve body material cast bronze with threaded socket connection DIN ISO 228. The Kv value data refers to control function 1 (NC) and the largest actuator for each nominal size. Kv values may be different for other combinations. Consult GEMÜ.

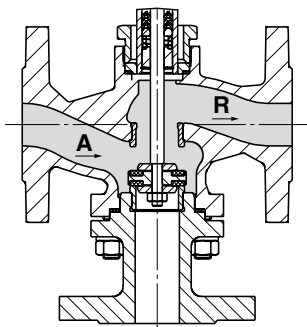
Pressure / temperature correlation

Connection code	Material code	Max. allowable operating pressures in bar at temperature °C*						
		RT	50	100	150	200	250	300
8	8	16.0	16.0	16.0	14.4	12.8	11.2	9.6
1	9	16.0	16.0	16.0	16.0	13.5	-	-

* The valves can be used down to -10°C RT = Room Temperature All pressures are gauge pressures.

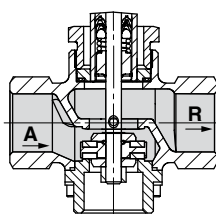
Flow direction

GEMÜ 352

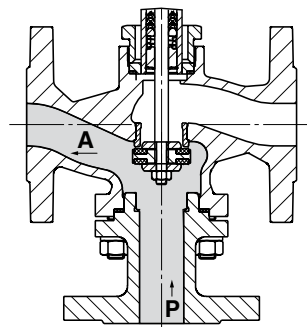


In its resting position the valve is open from ports A → R.
(Normally closed function)

GEMÜ 354

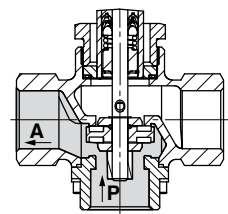


GEMÜ 352



When the valve is actuated it is open from ports P → A.
(Normally closed function)

GEMÜ 354



Order data

Body configuration	Code
Multi-port	M

Seat seal	Code
PTFE	5
PTFE, glass reinforced	5G

Connection	Code
Threaded sockets DIN ISO 228 (GEMÜ 354)	1
Flanges EN 1092 / PN16 / form B, length EN 558, series 1, ISO 5752, basic series 1 (GEMÜ 352)	8
Flanges ANSI CLASS 125/150 RF, length EN 558, series 1, ISO 5752, basic series 1 (GEMÜ 352)	39

Control function	Code
Normally closed (NC)	1
Other control functions on request	

Valve body material	Code
GEMÜ 352: EN-GJL-250 (GG 25) Cast iron	8
GEMÜ 354: (Rg 5) CC499K, Cast bronze	9

Actuator size	Code
Actuator 1 piston ø 70 mm	1
Actuator 2 piston ø 120 mm	2

Note

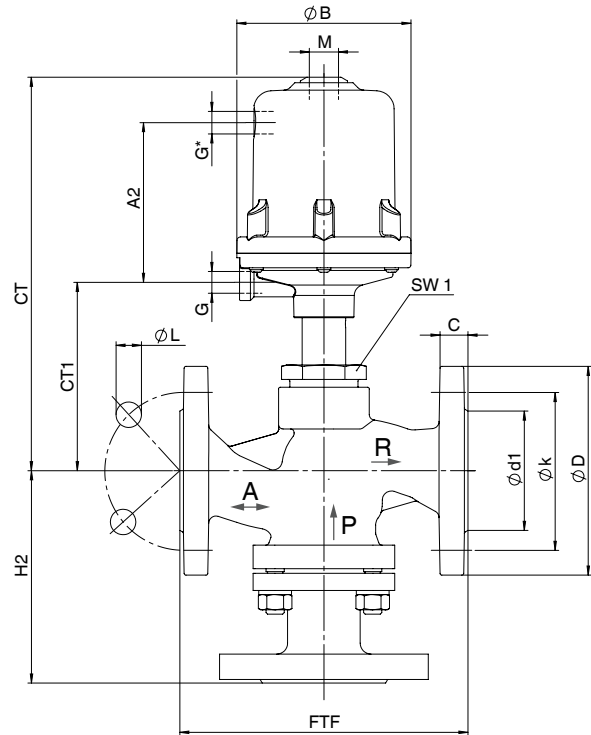
Other versions on request.

Order example	352	20	M	8	8	5	1	1
Type	352							
Nominal size		20						
Body configuration (code)			M					
Connection (code)				8				
Valve body material (code)					8			
Seat seal (code)						5		
Control function (code)							1	
Actuator size (code)								1

Dimensions GEMÜ 352 [mm]

Actuator dimensions

	$\varnothing B$	M	A2	G
Actuator size 1	96	M16 x 1	86	G 1/4
Actuator size 2	168	M22 x 1.5	149	G 1/4



*Connection only for control functions 2 and 3

Body dimensions / Installation dimensions

Flanges - DIN EN 1092, connection code 8 Valve body material: GG 25 (code 8)

DN	FTF	$\varnothing D$	$\varnothing k$	$\varnothing L$	Number of bolts	SW1	$\varnothing d1$	C	H2	Actuator 1		Actuator 2	
										CT	CT1	CT	CT1
15	130	95	65	14	4	41	45	14	97	210	104	-	-
20	150	105	75	14	4	41	58	16	112	215	109	-	-
25	160	115	85	14	4	41	68	16	118	216	110	-	-
32	180	140	100	18	4	41	78	18	142	226	120	321	145
40	200	150	110	18	4	41	88	18	148	235	129	330	154
50	230	165	125	18	4	41	102	20	158	242	136	337	161
65	290	185	145	18	4	55	122	20	183	-	-	349	173
80	310	200	160	18	8	55	138	22	204	-	-	361	185
100	350	220	180	18	8	55	158	24	236	-	-	375	199

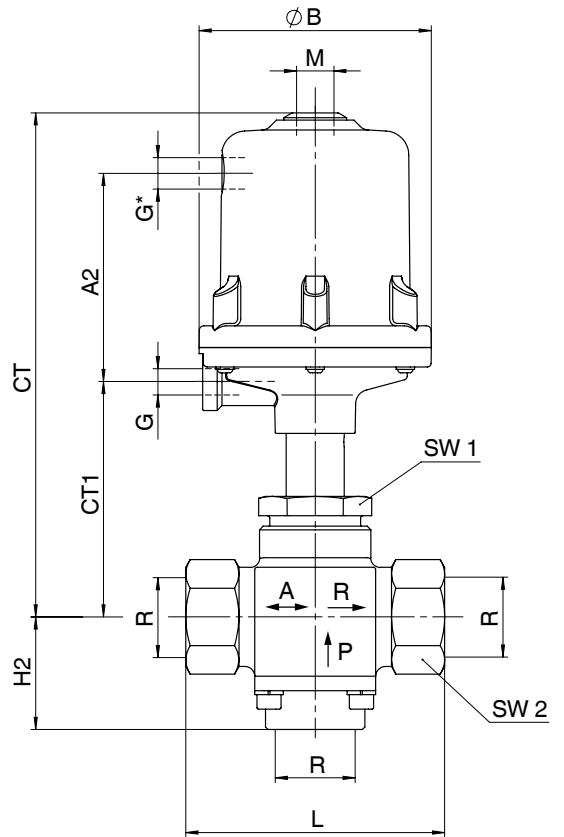
Flanges - ANSI class 125/150 RF, connection code 39 Valve body material: GG 25 (code 8)

DN	FTF	$\varnothing D$	$\varnothing k$	$\varnothing L$	Number of bolts	SW1	$\varnothing d1$	C	H2	Actuator 1		Actuator 2	
										CT	CT1	CT	CT1
15	130	90	60.3	15.9	4	41	35.1	11.2	97	210	104	-	-
20	150	100	69.9	15.9	4	41	42.9	12.7	112	215	109	-	-
25	160	110	79.4	15.9	4	41	50.8	14.2	118	216	110	-	-
32	180	115	88.9	15.9	4	41	63.5	15.7	142	226	120	321	145
40	200	125	98.4	15.9	4	41	73.2	17.5	148	235	129	330	154
50	230	150	120.7	19.0	4	41	91.9	19.1	158	242	136	337	161
65	290	180	139.7	19.0	4	55	104.6	22.4	183	-	-	349	173
80	310	190	152.4	19.0	4	55	127.0	23.9	204	-	-	361	185
100	350	230	190.5	19.0	8	55	157.2	23.9	236	-	-	375	199

Dimensions GEMÜ 354 [mm]

Actuator dimensions

	$\varnothing B$	M	A2	G
Actuator size 1	96	M16 x 1	86	G 1/4
Actuator size 2	168	M22 x 1.5	149	G 1/4



*Connection only for control functions 2 and 3

Body dimensions / Installation dimensions

Threaded sockets, connection code 1 Valve body material: Cast bronze (code 9)

DN	R	L	SW1	SW2	H2	Antrieb 1		Antrieb 1	
						CT	CT1	CT	CT1
15	G 1/2	75	36	27	41	203	97	-	-
20	G 3/4	87	36	32	46	207	101	-	-
25	G 1	107	41	41	47	207	101	-	-
32	G 1 1/4	123	55	50	66	211	105	306	130
40	G 1 1/2	147	55	58	68	211	105	306	130
50	G 2	171	55	70	74	215	109	310	134

Overview of valve bodies - GEMÜ 352, 354

Connection code	1 (GEMÜ 354)	8 (GEMÜ 352)	39 (GEMÜ 352)
Material code	9	8	8
DN 15	X	X	X
DN 20	X	X	X
DN 25	X	X	X
DN 32	X	X	X
DN 40	X	X	X
DN 50	X	X	X
DN 65	-	X	X
DN 80	-	X	X
DN 100	-	X	X

Other multi-port globe valve



GEMÜ 312 / 314



GEMÜ 342 / 344



For further globe valves, accessories and other products, please see our Product Range catalogue and Price List.
Contact GEMÜ.

GEMÜ® VALVES, MEASUREMENT
AND CONTROL SYSTEMS

