



# Intensive multi-channel flat jet nozzles for air

## Series 600.383.35

### Series 600.383.35

The intensive multi-channel flat jet nozzles of the 600.383 series generate a concentrated, powerful air jet. Due to the flattened design, the jet depth of this nozzle always remains constant even at changing pressures. This permits precise operation even under changing conditions.



**Cost savings**

**8%**



**Noise reduction**

**10%**



**Materials**

Brass nickel plated,  
PVC



**Blowing force**

4.3 N at 2 bar



**Noise level**

86 db(A) at 2 bar



**Air consumption**

$V_{LN}=31 \text{ m}^3/\text{h}$  at 2 bar



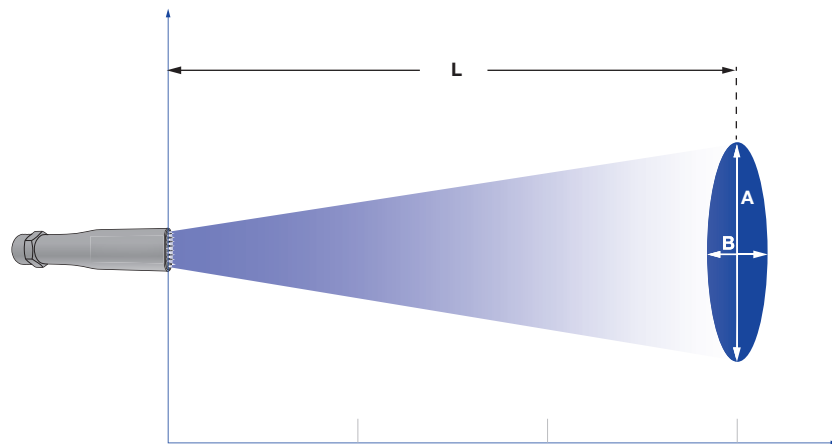
**Pressure**

$P_{\text{max}}=10 \text{ bar}$



**Max. temperature**

50 °C

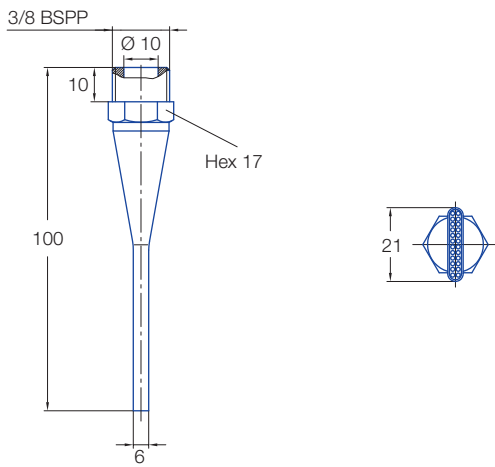


Jet pattern of 600.383.35 nozzle series

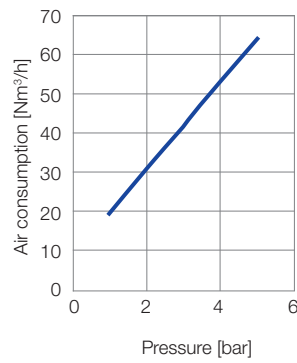
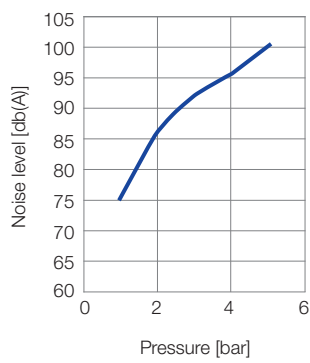
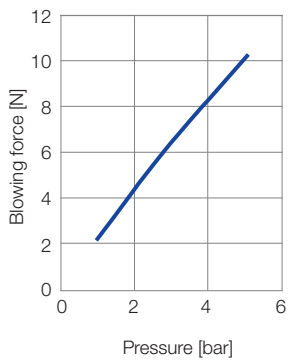
| Pressure:        | 1 bar | 3 bar | 5 bar |
|------------------|-------|-------|-------|
| Distance L [mm]: | 900   | 900   | 900   |

Jet dimensions at L

|         |     |     |     |
|---------|-----|-----|-----|
| A [mm]: | 200 | 425 | 510 |
| B [mm]: | 230 | 230 | 230 |



### Technical data



| Ordering no.    |                                  |           |
|-----------------|----------------------------------|-----------|
| Type            | Mat. no.                         | Code      |
|                 | <b>35</b>                        |           |
|                 | <b>Brass nickel plated / PVC</b> |           |
|                 |                                  | 3/8 BSPP  |
| <b>600.383.</b> | ○                                | <b>AE</b> |

Example of ordering: Type + Mat. no. + Code = Ordering no.  
 600.383. + 35 + AE = 600.383.35.AE