



# Multi-channel round jet nozzles for air Series 600.326.3W

## Series 600.326.3W

The multi-channel round jet nozzles of the 600.326 series generate a powerful, circular air jet. The noise level and air consumption remain low even at higher air pressures. The zinc version permits use at increased pressure and temperature. The special geometry at the nozzle outlet prevents air penetration into human skin. These nozzles comply with the OSHA standards.



**Cost savings**

**8 %**



**Noise reduction**

**17 %**



**Material**

Zinc



**Blowing force**

2.1 N at 2 bar



**Noise level**

79 db(A) at 2 bar



**Air consumption**

$V_{LN}=15 \text{ m}^3/\text{h}$  at 2 bar



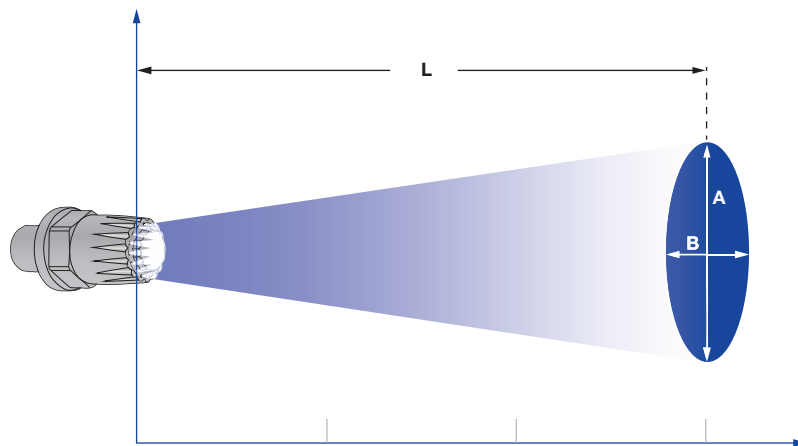
**Pressure**

$P_{\text{max}}=10 \text{ bar}$



**Max. temperature**

90 °C

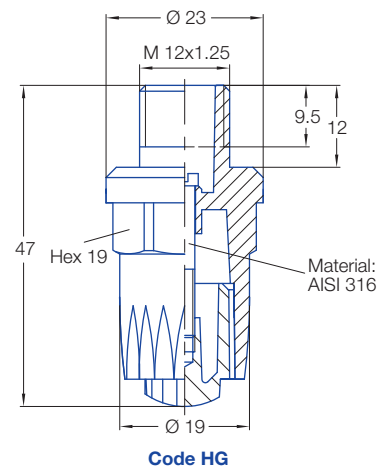
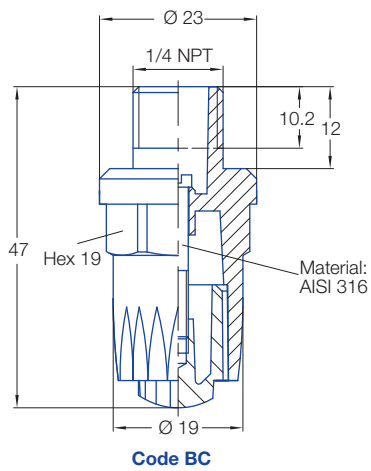
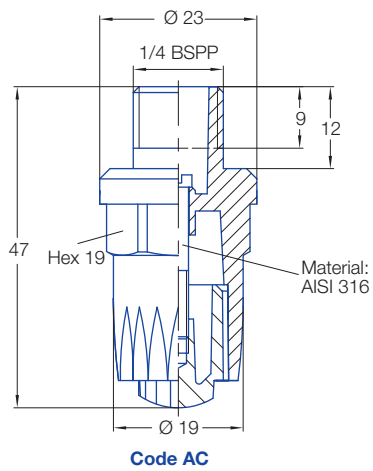


Jet pattern of 600.326.3W nozzle series

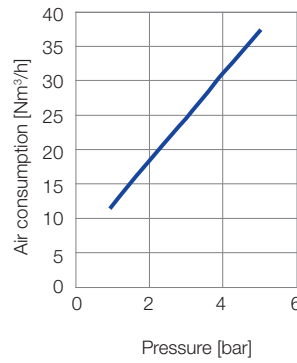
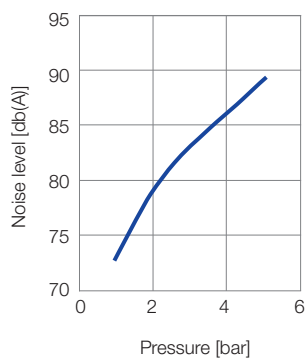
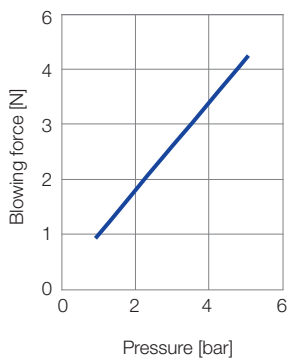
Pressure:	1 bar	3 bar	5 bar
Distance L [mm]:	700	900	900

Jet dimensions at L

A [mm]:	160	220	260
B [mm]:	160	220	260



### Technical data



Ordering no.		Connection thread
Type	Code	
<b>600.326.3W</b> (Material: Zinc GD-Z410)	<b>AC</b>	1/4 BSPP
	<b>BC</b>	1/4 NPT
	<b>HG</b>	M 12x1.25

**Example of ordering:** Type **600.326.3W** + Code **AC** = Ordering no. **600.326.3W.AC**

Also as a high-temperature version of brass available on request.