

Product Information

**Flow switch
 HR201**



- Low pressure loss
- Individually calibrated display
- Compact design

Characteristics

Mechanical flow switch for fluid media, with spring-supported piston and magnetic triggering of a reed switch. Robust construction in brass or stainless steel.

Technical data

Switch	without	
Nominal width	DN 32 / 40 / 50	
Process connection	female thread G 1 1/4..G 2 (further process connections available on request)	
Display range	10..300 l/min	for details see table "Ranges"
Pressure loss	~ 1 bar at Q _{max}	
Q_{max.}	up to 300 l/min	
Tolerance	±10 % of full scale value	
Pressure resistance	PS 200 bar	
Media temperature	-20..+120 °C	
Ambient temperature	-20..+70 °C	
Media	water	
Electrical connection	none	
Materials medium-contact	<i>Brass construction:</i> CW614N nickelled, CW614N, 1.4305, 1.4310, hard ferrite	<i>Stainless steel construction:</i> 1.4571, 1.4310, hard ferrite
Non-medium-contact materials	CW614N nickelled, PC, acrylic	
Weight	see table "Dimensions and weights"	
Installation location	Standard: horizontal inwards flow from the left; other installation positions are possible; the installation position affects the switching point and range.	

Ranges

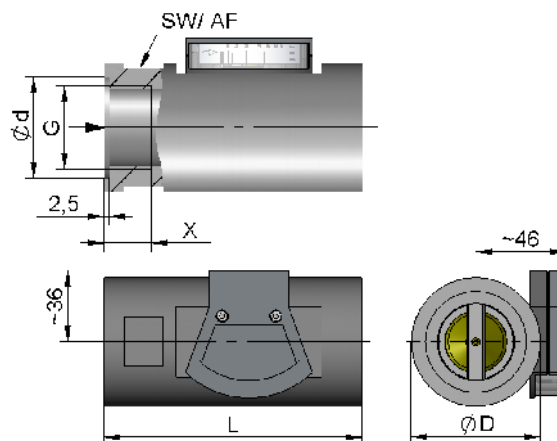
Details in the table correspond to horizontal inwards flow with increasing flow rate.

Display range l/min H ₂ O	Q _{max.} recommended
10.. 60	300
15..100	300
20..200	300
30..300	300

Special ranges are available.

Dimensions and weights

DN	G	Types	L	ØD	SW	Ød	X	Weight kg
32	G 1 1/4	HR201-032GM	130	65	60	51	23	2.5
40	G 1 1/2	HR201-040GM	170	80	75	56	24	3.1
50	G 2	HR201-050GM	185	80	75	70	26	5.2



Handling and operation

Note

- Include straight calming section of 5 x DN in inlet and outlet
- If the media are dirty, install a filter (use magnetic filter for ferritic components).

Ordering code

HR201 - 1. 2. 3. 4.
 G

1. Nominal width		
032	DN 32 - G 1 ¹ / ₄	
040	DN 40 - G 1 ¹ / ₂	
050	DN 50 - G 2	
2. Process connection		
G	female thread	
3. Connection material		
M	brass	
K	stainless steel	
4. Display range H₂O for horizontal inwards flow		
040	10.. 60 l/min	
060	15.. 100 l/min	
090	20.. 200 l/min	
150	30.. 300 l/min	

Options

- Special values

Ordering information

- Specify direction of flow, medium, and display range.