

# Diaphragm type chemical seal with thread connection

## Features

- Compact dimensions
- Flush diaphragm at the front
- Special materials for extreme service requirements

## Description

Chemical seals are used when media can falsify the pressure measurements due to high temperature, high viscosity or their propensity to crystallise.

Chemical seals transmit the process pressure to the measuring instrument, with the diaphragm forming a hermetic seal between the medium and measuring instrument.



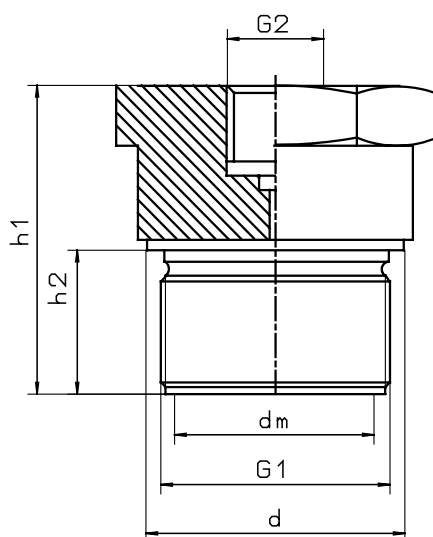
## Applications

- Process engineering
- Chemicals and petrochemicals industries
- Foodstuff industries

Model	DM-80 15	DM-80 20	DM-80 25	DM-80 40	DM-80 50
Ranges in bar	min. 10 bar nur für NG 63	min. 10 bar	min. 6 bar	min. 1,6 bar	min. 1 bar
Construction	with thread connection				
Upper body	CrNi steel				
Diaphragm	Cr Ni steel weldet with upper body				
Diaphragm diameter	14,7 mm	20 mm	28 mm	38 mm	46 mm
Thread connection	G 1/2 B	G 3/4 B	G 1 B	G 1 1/2 B	G 2 B
Operating pressure	PN 600				
Filling liquid	oil				
Operating temperature	Medium: -20°C up to 100°C ,in Option up to 400 °C				

## Dimensions and Design

with thread connection



Dimensions in mm								Weight
Model	DN	d	dm	h1	h2	G1	G2	
DM-80	15	-	15	55	20	G 1/2	G 1/2	0,16 kg
DM-80	20	32	20	56	20	G 3/4	G 1/2	0,27 kg
DM-80	25	39	28	55	21	G 1	G 1/2	0,40 kg
DM-80	40	55	38	65	30	G 1 1/2	G 1/2	1,08 kg