

# Digital pressure gauge with internal diaphragm and alarm contacts

**Accuracy: 0,1%**

**Standard output: 4...20 mA; 2- wire**  
**or 0...5 VDC; 3-wire**  
**or 0...10 VDC; 3-wire**  
**or / and with 2 alarm contacts**



## Characteristics

high resistant to temperature  
 storage of min/max values  
 zero point setting by key

## Anwendung

For high requirements on accuracy and long-term stability  
 Used for corrosive, gaseous and liquid media,  
 which are not tend to crystallise, highly viscous or  
 attack the measuring material.

## Einsatzbereiche

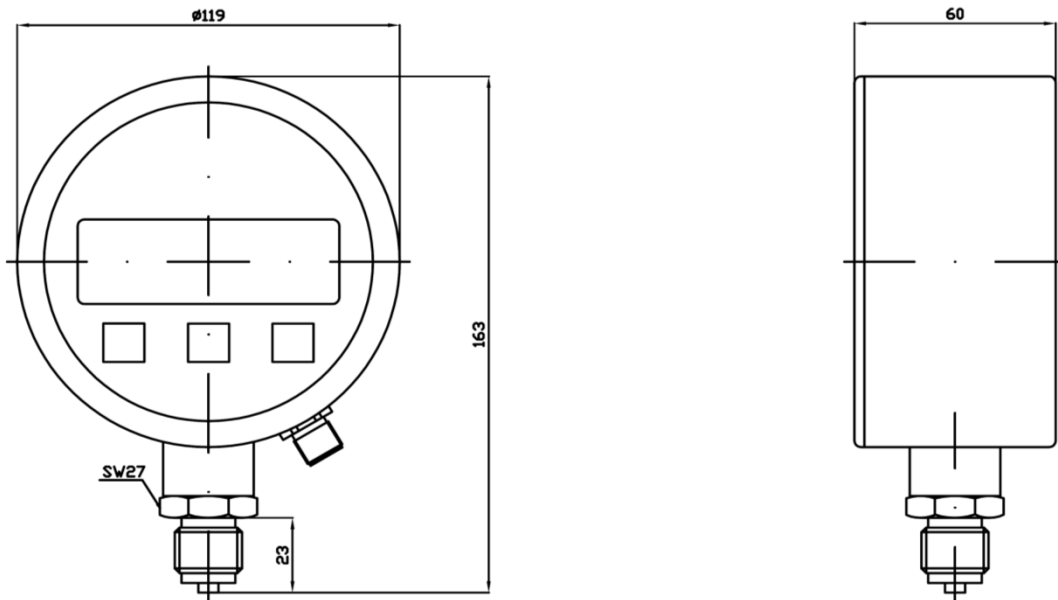
Laboratory  
 Mechanical Engineering and Machinery  
 Quality assurance

Model	SD-130
Accuracy	0,1 % of full scale value
Connection thread	G 1/2 B, stainless steel 316L
Display	LCD blue-white, two-line with backlighting
Display ranges in mbar in bar	0... 100, 160, 250, 400, 600 0... 1, 1,6 2,5, 4, 6, 10, 16, 25, 40, 60, 100, 160, 250, 400
Overpressure- proof	2-times
Sensor element	piezoresistive stainless steel cell to 25 bar, from 40 bar thin film technology, welded
Case	Aluminum anodized
Wetted parts	CrNi-steel 316L, with piezoresistive stainless steel cel with O-ring Viton
Pressurized conn.	SW 27, CrNi-steel 316L
Electrical connection	via circular plug M 12x1, 4-pole
Power supply	14...30 VDC
Contact output	2 relays as change-over contact, 6 A 250 V AC, but min. 12 V 10 mA via cable junction box
Current consumption	max. 50 mA
Permissible load	current 2-wire: $R_{max} = ((UB-UB_{min}) / 0,02) \text{ Ohm}$ , voltage: $R_{min} = 10 \text{ K Ohm}$
Short circiut stab.	S + against U -
Polarisation stab.	U + against U -
CE-conformity	Pressure equipment directive - 97/23 / EC EMC Directive - Emissivity and immunity (industrial area) according to EN 61 326
Lifetime	> 50 Millions of endurance cycles
Temp. comp. Range	-20...80 °C
Temperature balance	0,05 % / 10 K, on zero point and measuring element
Protection type	IP 65 according to EN 60529 / IEC 529
Temperatures	Medium: -20°C to 100°C, ambient: -25°C to 80°C
Weight	0,6 kg

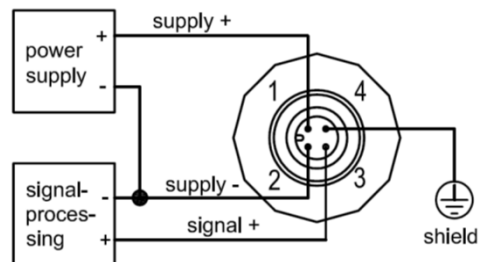
## Dimensions and Design

### Model SD-130

Standard version  
Circular connector M 12 x 1, 4-pin

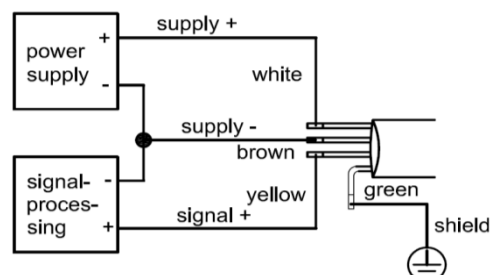


#### 3-wire system 4...20 mA and 0...5/10 V



option  
cable outlet with 2 meters securely connected PVC-cable,

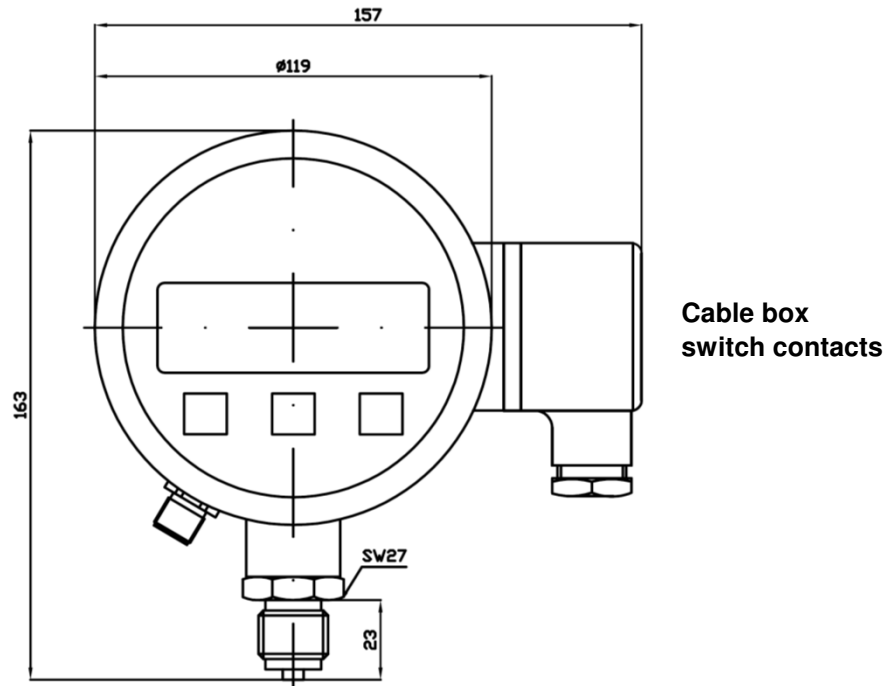
#### 3-wire system 4...20 mA and 0...5/10 V



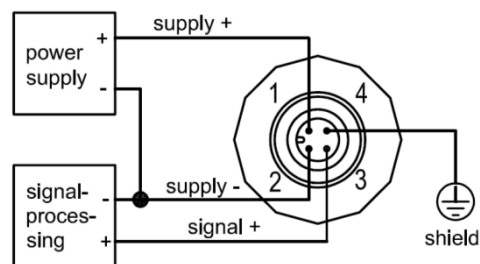
# Dimensions and Design

## Model SD-130

optionally with one or two switching contacts



### 3-wire system 4...20 mA and 0...5/10 V



### Connection of the switch contacts

