

# Diaphragm Valve, Metal

## Construction

The GEMÜ 674 2/2 way manually operated metal diaphragm valve has a metal bonnet and a corrosion resistant plastic handwheel.

## Features

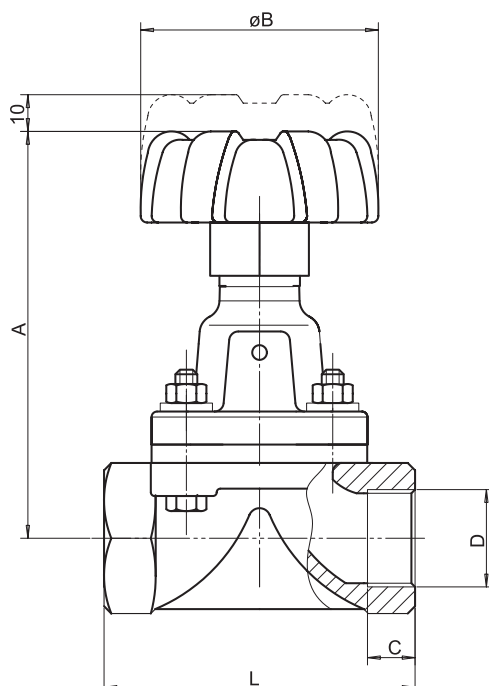
- Suitable for inert, corrosive\* liquid and gaseous media
- Insensitive to particulate media
- Valve body and diaphragm available in various materials and designs
- Various connections available
- Compact design (when space is at a premium)

## Advantages

- Optional flow direction, will seal in either flow direction up to full working pressure
- Optional mounting position

\* see information on working medium on page 2

Dimensions GEMÜ 674 [mm]						
DN	NPS	A	B	L	D	C
15	1/2"	105	65	85	G 1/2	12
20	3/4"	108	65	85	G 3/4	13



## Technical data

Working medium	
Corrosive, inert gaseous and liquid media which have no negative impact on the physical and chemical properties of the body and diaphragm materials.	
Max. perm. temperature of working medium (dependent on body and diaphragm material)	150°C
Max. permissible pressure of working medium	10 bar
Max. ambient temperature	60°C

Nominal size	Operating pressure	Kv value
DN	[bar]	[m <sup>3</sup> /h]
15	10	4.2
20	10	8.0

Kv values shown are valid for unlined valve bodies.  
Kv values: Tolerance ±10%.

## Order data

Body configuration	Code
2/2 way	D

Connection	Code
Threaded sockets DIN ISO 228	1

Valve body material	Code
EN-GJL-250, GG 25 (cast iron)	8

Diaphragm material	Code
NBR, Perbunan	2
CR, Neoprene	8
EPDM	24

Control function	Code
Manually operated	0

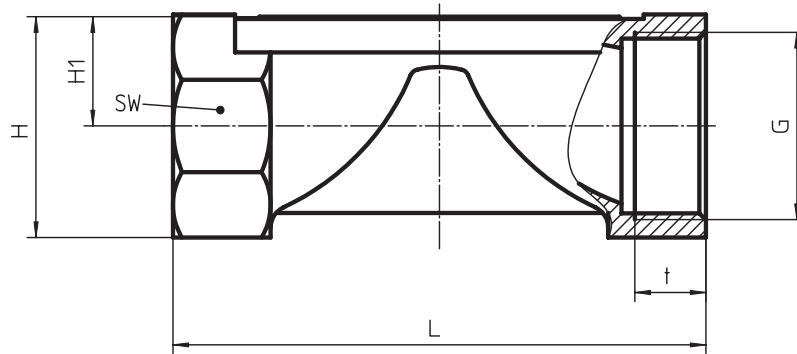
Order example	674	15	D	1	8	24	0
Type	674						
Nominal size		15					
Body configuration (code)			D				
Connection (code)				1			
Valve body material (code)					8		
Diaphragm material (code)						24	
Control function (code)							0

Other valve body materials, linings and diaphragm materials upon request.

**Dimensions [mm]**

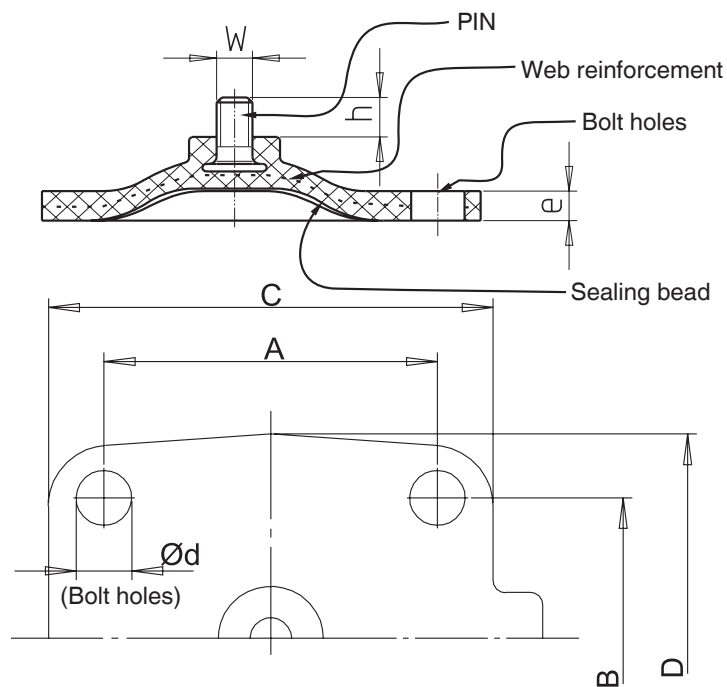
**Body dimensions - Threaded sockets DIN ISO 228  
Connection code 1, Material code 8**

DN	G	H	H1	t	L	SW
15	G 1/2	35	19	12	85	32
20	G 3/4	40	19	13	85	41



**Diaphragm dimensions**

DN	NPS	A	B	C	D	d	e	h	W	Number of bolt holes
15	1/2"	36.0	33.4	48.0	45	7	3.5	6	5/32"	4
20	3/4"	44.5	40.0	61.5	57	8	5.0	6	5/32"	4



## Industrial Valves

Metal diaphragm valves

Product overview and technical data



**GEMÜ**® VALVES, MEASUREMENT  
AND CONTROL SYSTEMS

For further metal diaphragm valves, accessories and other products,  
please see our Product Range catalogue and Price List.  
Contact GEMÜ.

**GEMÜ**® VALVES, MEASUREMENT  
AND CONTROL SYSTEMS

